

# THT-90-4T-5,5



## Long cased axial fans, 400°C/2h. THT/ATEX: Long-cased axial fans, 400°C/2h, with ATEX certification

### • Manufacturing features:



Long-cased axial fans with short housing to work inside fire danger zones, 400°C/2h. THT/ATEX: Long-cased axial fans with short housing to work inside fire danger zones, 400°C/2h, with ATEX certification, category 3 Ex II3G. In accordance with Spanish Low Voltage Regulation ITC 29 ATEX for Zone 2 rated car parks.

#### Motor:

- Class H motors, ongoing use S1 and emergency use S2, with ball bearings, IP55 protection, and one- or two- speed depending on the model.
- Three-phase 230/400V.-50Hz. (up to 4CV.) and 400/690V.-50Hz. (power over 4CV.)
- Max. airflow temperature: S1 Service -20°C+ 40°C for ongoing use, S2 Service 400°C/2h

#### Finish:

Anticorrosive finish in polyester resin, polymerised at 190°C, after alkaline degreasing and phosphate-free pre-treatment.

#### On Demand:

- Long-cased fans with inspection hatch
- Fans with motor 200°C/2h
- 100% reversible impellers.



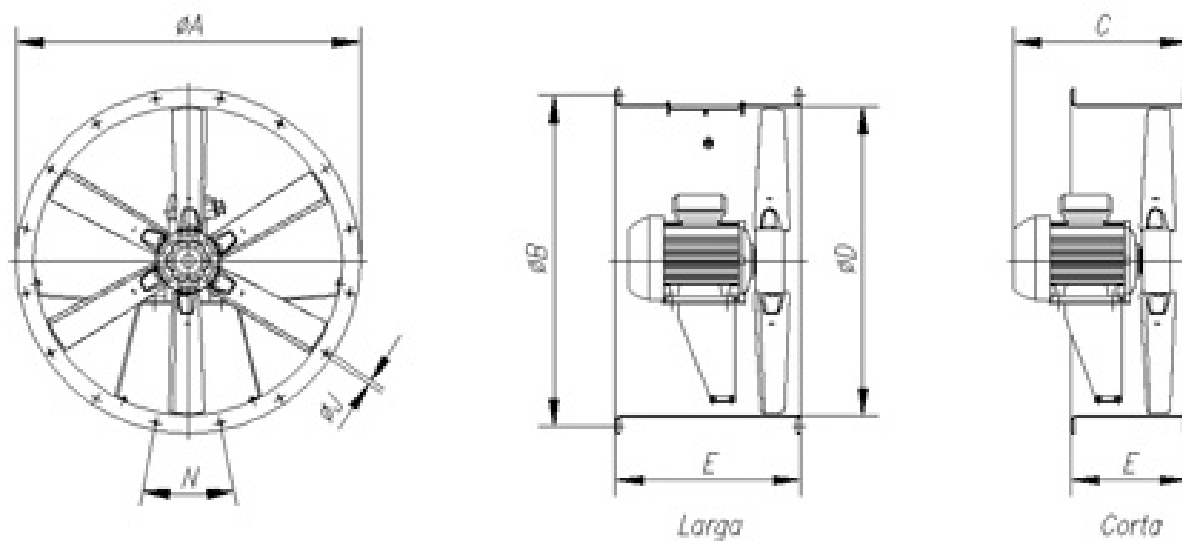
### • Technical specifications:

R.P.M.	I <sub>max</sub> 230 V(A)	I <sub>max</sub> 400 V(A)	I <sub>max</sub> 690 V(A)	Power (Kw)	Airflow (m <sup>3</sup> /h)	NPS dB(A)	Weight (Kg)
1435	0.0	8.40	4.8	4	46500	89	116.5

# THT-90-4T-5,5



• Dimensions in mm:

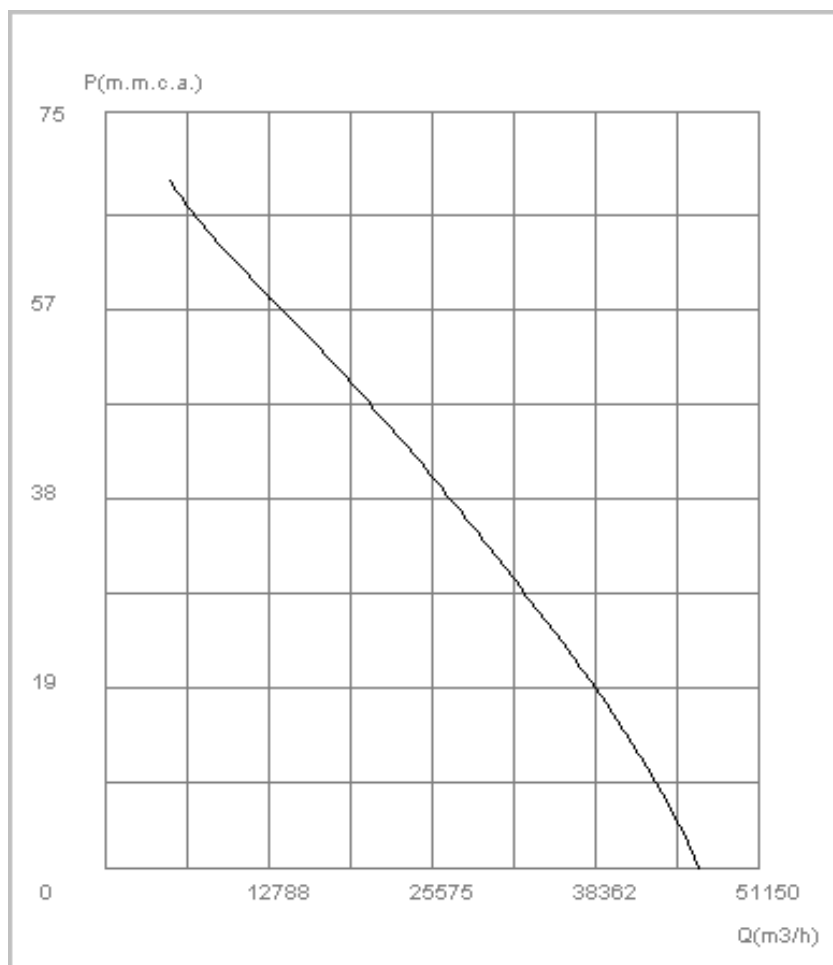


A	B	C	D	E_CORTA	E_LARGA	J	N
1015.0	970.0	433.0	900	350.0	550.0	15.0	16x22°30

# THT-90-4T-5,5



## • Performance curve:



**Design point:** Q = 0,00 P = 0,00

**Service point:** Q = 0,00 P = 0,00

## • Sound Power Spectrum (LwA):

63	125	250	500	1000	2000	4000	8000	Hz
67.0	88.0	95.0	100.0	103.0	99.0	92.0	81.0	dB(A)