

Uni-directional circular impulsion fan



Manufacturing features:

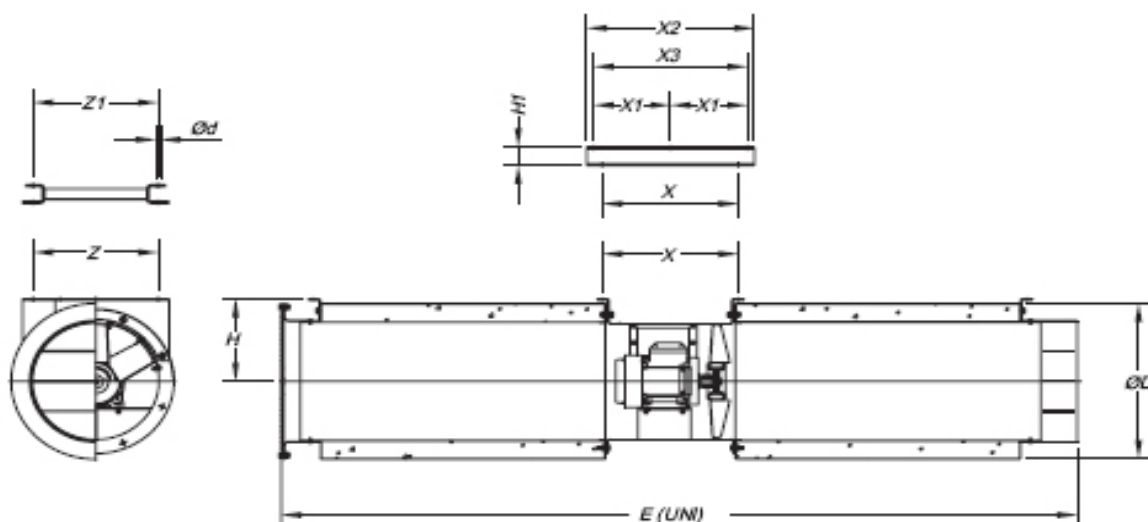
Sets with single direction fan + silencers + deflectors + support for 400°C/2h and 200°C/2h smoke extraction, meeting to European standard EN-12101-3:2000

- Anti-corrosive galvanised sheet steel casing circular for THT/IMP-C
- Aluminium impellers with variable pitch, specially designed for optimum impulsion.
- High effective silencers with thermal and acoustic insulation
- Deflectors on the outlet side of the fans, protection guard on the inlet side
- Three-phase class H motors 400V 50 Hz
- Two speed DHALANDER type winding

Technical specifications:

Speed (rpm)	Max. Electrical supply		Power (KW)	Max. Airflow (m³/h)	Sound P. Level (Lp) dB(A)	Approx. Weight (kg)
	230V (A)	400V (A)				
2910	-	5	2,2	12000	58	114

Dimensions in mm:



øD	ød	E	H	H1	X	X1	X2	Z	Z1
510	12	2485	280		368	395		400	